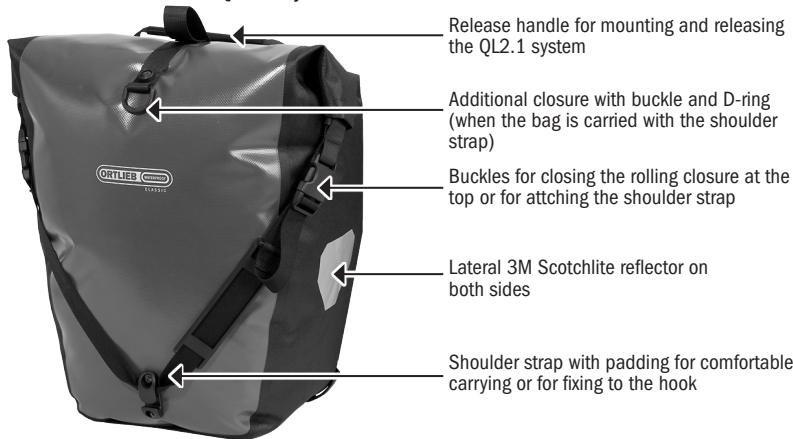


PRODUCT INFO

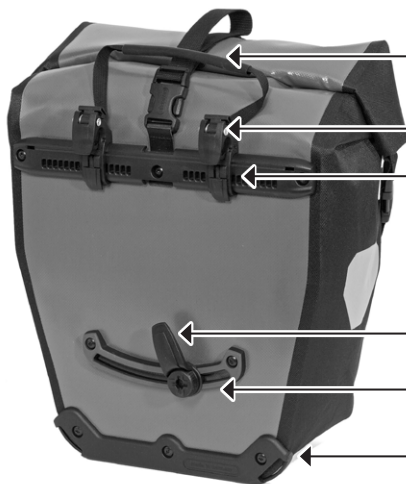


BACK-ROLLER CLASSIC

Rear pannier pair with roll closure and QL2.1 system



- Release handle for mounting and releasing the QL2.1 system
- Additional closure with buckle and D-ring (when the bag is carried with the shoulder strap)
- Buckles for closing the rolling closure at the top or for attaching the shoulder strap
- Lateral 3M Scotchlite reflector on both sides
- Shoulder strap with padding for comfortable carrying or for fixing to the hook



- Carrying handle for mounting and releasing the QL2.1 system
- Automatically closing 16mm QL2.1 hooks
- Exchangeable hook inserts with anti-scratch function (8, 10, 12 mm)
- Adjustable and rotatable mounting hook (in 15° steps) with anti-scratch function
- Semi-elliptical hook rail made of two-component synthetic with anti-scratch function reduces abrasions on rack
- Edge protector with slots for mounting the ORTLIEB carrying system



Height cm/in	Width cm/in	Depth cm/in	Volume L/cu.in.	Weight g/oz.
42/16.5	23/32 9/12.6	17/6.7	40/2441 (pair)	1900/67 (pair)

SPECIFICATIONS:

- + Classical rear pannier (pair) with roll closure
- + Sides of PS 490 nylon material, front and back of PD 620
- + QL2.1 system for racks up to 16 mm
- + 20 mm hook available as separate accessory (e.g. for e-bikes)
- + Including reduction pieces for tube diameters 8, 10 and 12 mm; with anti-scratch function reducing abrasions on rack
- + Top QL hooks and lower sliding hook adjustable without requiring any tools
- + Lower hook rail made of two-component „hard-soft“ synthetic reduces abrasions on carrier
- + Including integrated inner pocket and shoulder strap
- + Can be used individually (e.g. for shopping, sports, picnic)
- + Can be combined with the ORTLIEB Rack-Pack size S or M
- + Simultaneous use of ORTLIEB Travel-Biker possible
- + Highly reflective Scotchlite reflector
- + Easy to clean inside

Contents: Panniers come as a pair with 2 shoulder straps and reduction inserts for 8, 10 and 12 mm (two pairs per size)

Optional accessories: ORTLIEB carrying system, outer pocket/s (size S), mesh pocket, bottle cage, 20 mm QL2.1 hook, anti-theft device long

Note: In order to meet standard IP64 (6=dustproof, 4=protected against splash water coming from all directions) the closure must be rolled 3-4 times.